

user's manual
instrukcja obsługi



eng

pl

NVC-HC220DVF

NOVUS[®]

user's manual



eng


NVC-HC220DVF

noVus[®]

INFORMATION

EMC (89/336/EEC) and LVD (73/23/EEC) Directives

CE Marking

 Our products are manufactured to comply with requirements of following directives and national regulations implementing the directives:

- Electromagnetic compatibility EMC 89/336/EEC with further amendments.
- Low voltage LVD 73/23/EEC with further amendment. The Directive applies to electrical equipment designed for use with a voltage rating of between 50VAC and 1000VAC as well as 75VDC and 1500VDC.

WEEE Directive 2002/96/EC

Information on Disposal for Users of Waste Electrical and Electronic Equipment



This appliance is marked according to the European Directive on Waste Electrical and Electronic Equipment (2002/96/EC) and further amendments. By ensuring this product is disposed of correctly, you will help to prevent potential negative consequences for the environment and human health, which could otherwise be caused by inappropriate waste handling of this product.

The symbol on the product, or the documents accompanying the product, indicates that this appliance may not be treated as household waste. It shall be handed over to the applicable collection point for the waste electrical and electronic equipment for recycling purpose.

For more information about recycling of this product, please contact your local authorities, your household waste disposal service or the shop where you purchased the product.

RoHS Directive 2002/95/EC



Concerning for human health protection and friendly environment, we assure that our products falling under RoHS Directive regulations, regarding the restriction of the use of hazardous substances in electrical and electronic equipment, were designed and manufactured in compliance with mentioned regulation. Simultaneously, we claim that our products were tested and do not contain hazardous substances exceeding limits which could have negative impact on human health or natural environment.

Information

The device, as a part of professional CCTV system used for surveillance and control, is not designed for self installation in households by individuals without technical knowledge.

The manufacturer is not responsible for defects and damages resulted from improper or inconsistent with user's manual installation of the device in the system.

IMPORTANT SAFEGUARDS

WARNING!

READ KEEP, AND FOLLOW THESE INSTRUCTIONS. ALL THE SAFETY AND OPERATING INSTRUCTIONS SHOULD BE READ BEFORE THE PRODUCT IS OPERATED.

THERE ARE NO USER-SERVICABLE PARTS INSIDE THIS UNIT. ONLY AUTHORIZED PERSONEL MAY SERVICE THIS UNIT.

IMPORTANT SAFEGUARDS

1. Installation and servicing should only be done by qualified service personnel and conform to all local codes
2. Do not use this unit if any of electrical or environmental condition is not fulfilled.
3. Unplug the unit from the outlet and refer servicing to qualified service personnel in case of water intrusion into camera interior.
4. Camera should be installed away from electromagnetic field sources like TV sets, electric motors, transformers. Electromagnetic fields may cause picture distortions.
5. Do not ever touch the surface of the CCD. If necessary clean the case of the camera by means moist cloth. Do not use any chemical cleaners.
6. Lead the cables properly to avoid risk of mechanical damaging in the future. Make sure all connections are made properly. Do not overload power sockets. It may cause the fire.
7. In order to prevent damaging of the camera video circuits should be protected by appropriate surge protection devices. Ground loop isolators are also recommended.
8. Connect video output (by means coaxial cable) with proper inputs of devices like monitors, DVR's etc. Connecting with improper connector e.g. other video output may cause damage of the camera.

Notice: Data included in the following user's manual is up to date at the time of printing. Novus Security Sp z o.o. holds exclusive rights to modify this manual. The producer reserves the rights for device specification modification and change in the design without prior notice.

eng

MAIN FEATURES

1. Main features

1. Color dome camera.
2. Horizontal resolution of 540 TVL.
3. Minimum illumination of 0.5lx / F=2.0.
4. Signal-to-noise ratio >48dB.
5. Vari-focal lens: f=4.0 ~ 9.0 mm.
6. Power supply: 12 VDC.

2. Technical specification

Model	NVC-HC220DVF
Pick up Element	1/3" SONY SuperHAD HQ1 DSP color CCD imager
Horizontal Resolution	540 TVL
Min. Illumination	0.5 lx / F=2.0
S/N Ratio	> 48 dB (AGC off)
White Balance	Auto
Auto Gain Control (AGC)	Auto, On / Off (option)
Back Light Compensation (BLC)	On / Off (with slide switch)
Flickerless Function	On / Off (with slide switch)
Synchronization	Internal
Lens Type	Auto iris DC: f=4.0 ~ 9.0mm
Angle of view (H)	62° ~ 29°
Enclosure	plastic, poly-carbonate bubble
Video output	BNC, 1.0 V p-p / 75Ohm
Power Supply	12 V DC
Power Consumption	Max 3 W
Operating temperature	0°C ~ 50°C
Dimensions (mm)	130 (Φ) x 102 (H)
Weight	Approx. 520 g

eng

INSTALLATION

3. Package of contents

Please take extra caution when unpacking the device.

Please ensure that following items are included in the package:

- User's manual
- Camera set
- Mounting screws
- Guide pattern
- Service monitor cable

If the equipment has been damaged during transport, the contents of package should be packed back to the original box. Contact the supplier for further assistance.

4. Installation

Before installation, make sure you are familiar with this product's special features and proper operating technique.

- Stick the guide pattern on the wall or ceiling.
- Drill 4 holes according to the guide pattern then insert anchors into the drilled holes
- Draw out power / video wires to the connecting place.
- Fix the camera to a ceiling using 4 screws.
- Adjust desired focus and scene by turning and moving the 3 axis camera bracket by hand.
- Put the dome cover over the base.
- Fix the dome cover on the base by covering.



Ceiling



Guide Pattern



Dome base



Tapping Screw

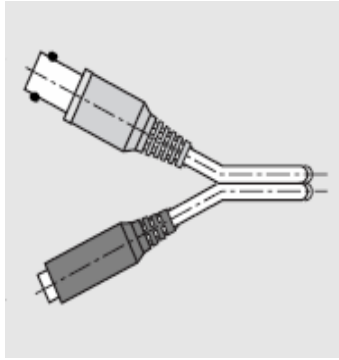


Dome cover

Mounting Screw

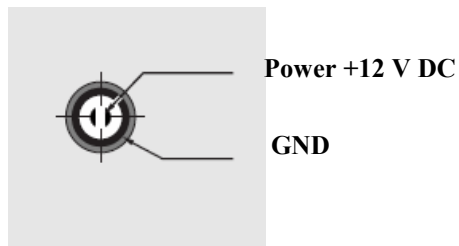
CONNECTION / NAME AND FUNCTION

4. Connection



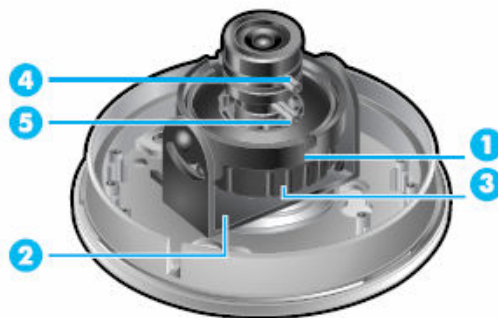
Power supply connector 12 V DC

Notice: 12 V DC Power Type is polarized as below.



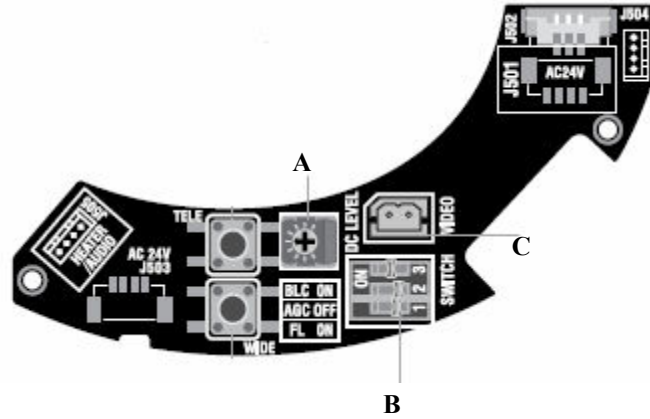
5. Name and function

It refers models: NVC-HC400VP, NVC-HC400VPH-2, NVC-HDN400VP, NVC-HDN400VPH-2



1. Tilt rotation: Adjusting the vertical angle.
2. Pan rotation: Adjusting the horizontal angle.
3. Horizontal rotation: Adjusting the horizontal position of the screen.
4. Focus handle: Focus (Far or Near).
5. Focal handle: Tele or Wide.

7. Camera set-up



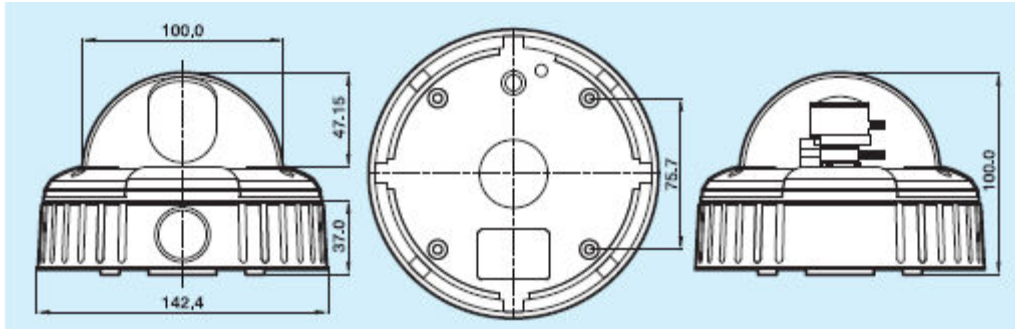
- A. Auto Iris DC level adjustment;
- B. Function selection switch:
 - FL (Flickerless) On/Off;
 - AGC (Auto Gain Control) On/Off;
 - BLC (Black Light Compensation) On/Off;
- C. Service monitor connector.

eng

EXTERNAL DIMENSIONS

8. External dimensions

Notice: It refers all models.



eng

8. Notes

eng

NOVUS[®]

NOVUS Security Sp. z o.o.

ul. Puławska 431, 02-801 Warszawa
tel.: (22) 546 0 700, fax: (22) 546 0 719
www.novuscctv.com