

# user's manual instrukcja obsługi



eng

pl

NVB-SD40PWB/230

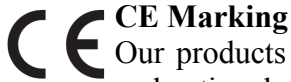
**NOVUS<sup>®</sup>**

## INFORMATION

---

---

### EMC (2004/108/EC) and LVD (2006/95/EC ) Directives



#### CE Marking

Our products are manufactured to comply with requirements of following directives and national regulations implementing the directives:

- Electromagnetic compatibility EMC 2004/108/EC.
- Low voltage LVD 2006/95/EC with further amendments. The Directive applies to electrical equipment designed for use with a voltage rating of between 50VAC and 1000VAC as well as 75VDC and 1500VDC.

### WEEE Directive 2002/96/EC

#### Information on Disposal for Users of Waste Electrical and Electronic Equipment



This appliance is marked according to the European Directive on Waste Electrical and Electronic Equipment (2002/96/EC) and further amendments. By ensuring this product is disposed of correctly, you will help to prevent potential negative consequences for the environment and human health, which could otherwise be caused by inappropriate waste handling of this product.

The symbol on the product, or the documents accompanying the product, indicates that this appliance may not be treated as household waste. It shall be handed over to the applicable collection point for the waste electrical and electronic equipment for recycling purpose. For more information about recycling of this product, please contact your local authorities, your household waste disposal service or the shop where you purchased the product

### RoHS Directive 2002/95/EC



Concerning for human health protection and friendly environment, we assure that our products falling under RoHS Directive regulations, regarding the restriction of the use of hazardous substances in electrical and electronic equipment, were designed and manufactured in compliance with mentioned regulation. Simultaneously, we claim that our products were tested and do not contain hazardous substances exceeding limits which could have negative impact on human health or natural environment.

#### Information

The device, as a part of professional CCTV system used for surveillance and control, is not designed for self installation in households by individuals without technical knowledge.

The manufacturer is not responsible for defects and damages resulting from improper or inconsistent with user's manual installation of the device in the system.

All the data included in this manual are up to date at the moment of printing this manual. Novus Security Sp. z o.o. reserves the right to amend this manual. The producer reserves the right to modify parameters of the device and change its design without notice.

## IMPORTANT SAFEGUARDS AND WARNINGS

---

---

### ATTENTION!

**READ, KEEP, AND FOLLOW THESE INSTRUCTIONS. ALL THE SAFETY AND OPERATING INSTRUCTIONS SHOULD BE READ BEFORE THE PRODUCT IS OPERATED.**



### ATTENTION!

**DO NOT ATTEMPT TO SERVICE THE HOUSING YOURSELF. OPENING OR REMOVING COVER MAY EXPOSE YOU TO DANGEROUS VOLTAGE OR OTHER HAZARDS. REFER ALL SERVICING TO A QUALIFIED SERVICE PERSONEL.**

### ATTENTION!

**PRIOR TO UNDERTAKING ANY ACTION THAT IS NOT PROVISIONED FOR THE GIVEN PRODUCT IN ITS USER'S MANUAL AND OTHER DOCUMENTS DELIVERED WITH THE PRODUCT, OR THAT ARISES FROM THE NORMAL APPLICATION OF THE PRODUCT, ITS MANUFACTURER MUST BE CONTACTED OR THE RESPONSIBILITY OF THE MANUFACTURER FOR THE RESULTS OF SUCH AN ACTION SHALL BE EXCLUDED.**

## IMPORTANT SAFEGUARDS AND WARNINGS

1. Read, keep, and follow these instructions. All the safety and operating instructions should be read before the product is operated.
2. Heed all warnings. All warnings on the product and in the instruction manual should be adhered to.
3. Use only attachments / accessories specified by the manufacturer.
4. Do not install this equipment on unstable surfaces. Improper installation may cause dangerous accident or cause unit damage. Recommended minimum load of the installation surface is 25kg.
5. Installation and servicing should be done only by the qualified service personnel and conform to all local codes.
6. All servicing should be carried out after unit is powered off.
7. Do not use any accessories that are not recommended by the manufacturer of the unit.
8. Use only power sources which comply with all the requirements of the manufacturer of the bracket.
9. Signal and power cables should be equipped with surge protection devices. This will prevent damage to the equipment due to lightning or power-line surges.
10. It is recommended to use surge-protection devices in order to avoid equipment damage caused by surges.
11. Do not overload wall outlets and extension cords as this can result in a risk of fire or electric shock.

## IMPORTANT SAFEGUARDS AND WARNINGS

---

---

12. Prevent from any liquid or any foreign body entering the unit interior.
13. There are no user-serviceable parts inside this unit. Only authorized service personnel may open the unit.
14. Unplug the unit and refer servicing to qualified service personnel under the following conditions:
  - a. When the power supply cord or plug is damaged.
  - b. If liquid has been spilled or objects have fallen in to the unit.
  - c. If the unit does not operate normally by following the operating instructions.
  - e. If the unit has been dropped or the cabinet has been damaged.
  - f. When the unit exhibits a distinct change in performance - this indicates a need for service.
15. Make sure that all spare parts used for unit servicing comply with manufacturer's requirements. Unauthorized servicing and improper parts may cause a risk of fire or electric shock.
16. After any service operations test the unit and functionality of all the attachments / accessories

## MAIN CHARACTERISTICS

### 1. MAIN CHARACTERISTIC

- ◆ Wall bracket with power supply unit for NVH-SD40EH
- ◆ Construction material: powder-coated aluminum, beige colour
- ◆ Internal transformer 230VAC/24VAC and surge protection for 24VAC power supply line,
- ◆ Degree of protection – IP66
- ◆ Terminal connectors for alarm signals (4 inputs and 2 outputs) and RS-485 control
- ◆ Built in hinge ass'y for service operation without deinstalation of the housing

eng



### 2. PACKAGE CONTENT

Package should contain following elements:

wall bracket	1pcs
user's manual	1pcs
mounting screw	4pcs
plastic anchor	4pcs
PG Gland	1pcs
L-Wrench	1pcs
L-Torx Wrench	1pcs
washer	1pcs
screw	1pcs
cable clamp	1pcs

If the equipment has been damaged during transport or is incomplete, the contents of the package should be packed back to the original box. Contact the local NOVUS distributor for further assistance.

## SPECIFICATION

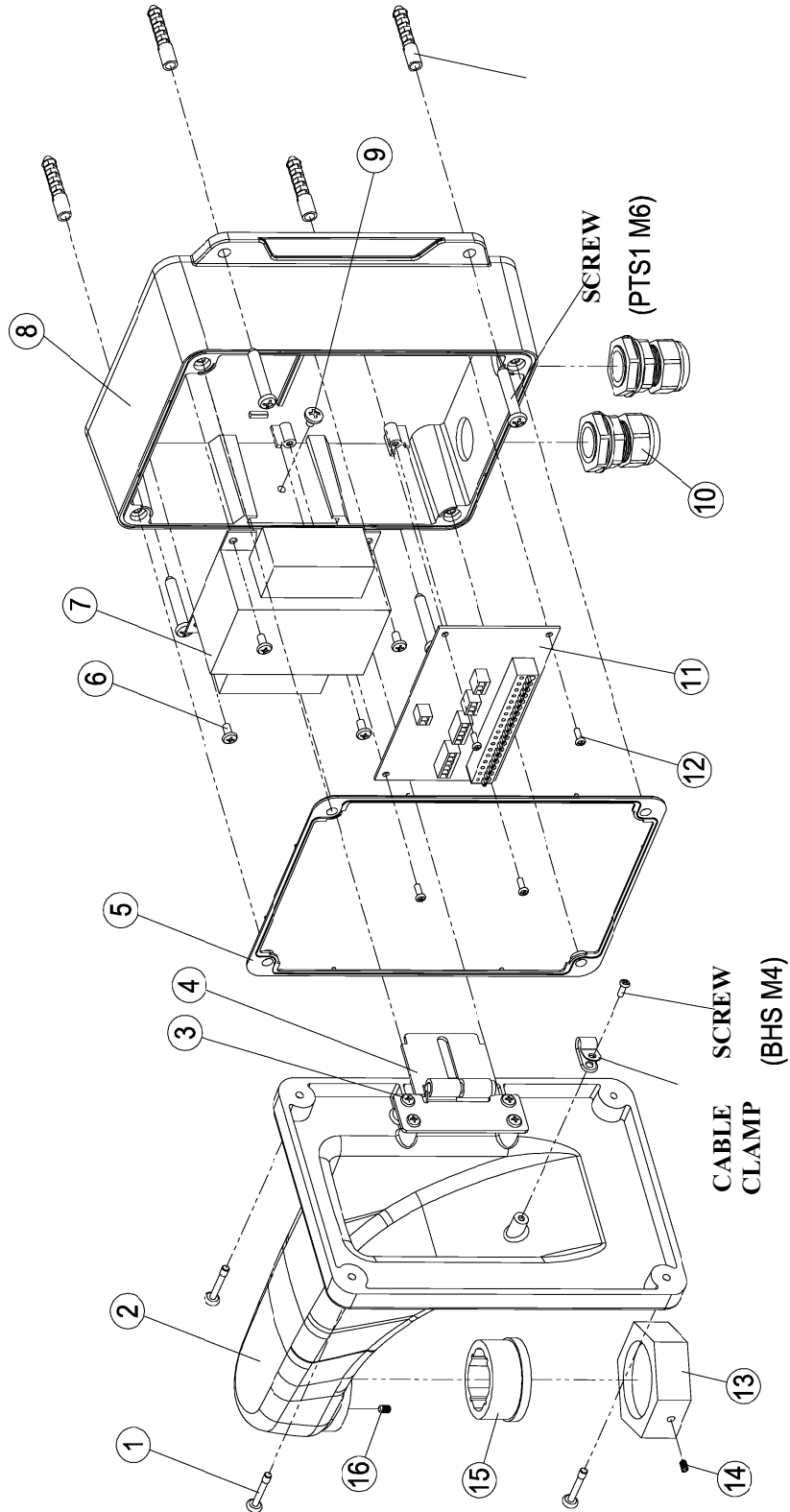
### 3. SPECIFICATIONS

Model	NVB-SD40PWB/230
Type	Wall mount
Construction material	Aluminum cast, internal construction elements - steel
Housing color	Beige
Degree of protection	IP 66
Power supply	230 VAC
Operating temperature	-45 °C ~ 50 °C
Dimensions (mm)	215 x 194 x 270 (details in section 3.2)
Weight	3,8 kg

#### 3.1 Parts list

No	Name	Quantity
1	Screw (M5 x 15)	4
2	Front part	1
3	Screw (M4 x 8)	4
4	Hinge Ass'y	1
5	Rubber Gasket	1
6	Screw (M4 x 6)	4
7	Transformer	1
8	Mounting base	1
9	Hinge screw (M4 x 4)	1
10	PG Bushing	2
11	PCB Ass'y	1
12	Screw (M3 x 8)	4
13	Nut	1
14	Set screw	1
15	Bush	1
16	Set screw	1

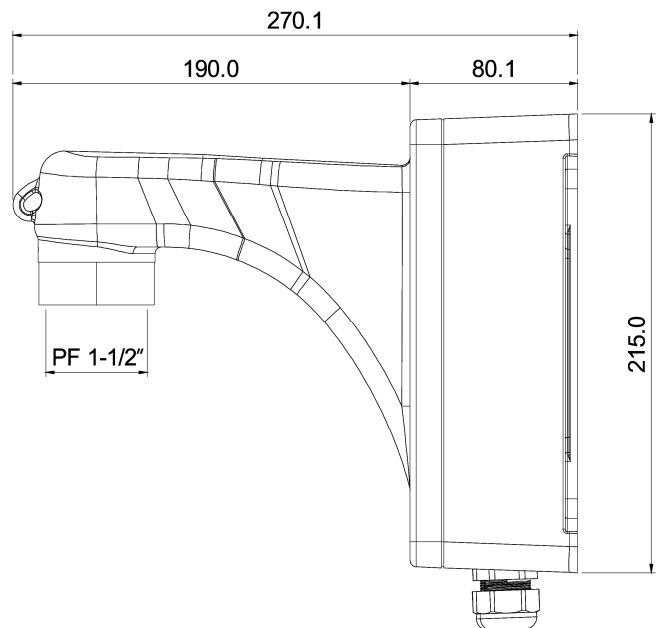
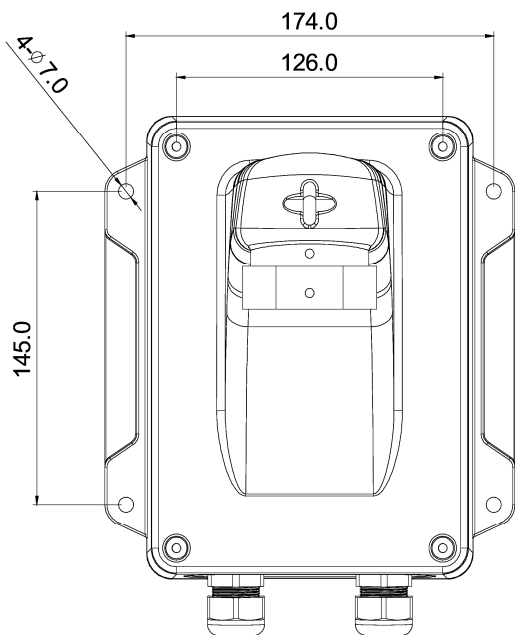
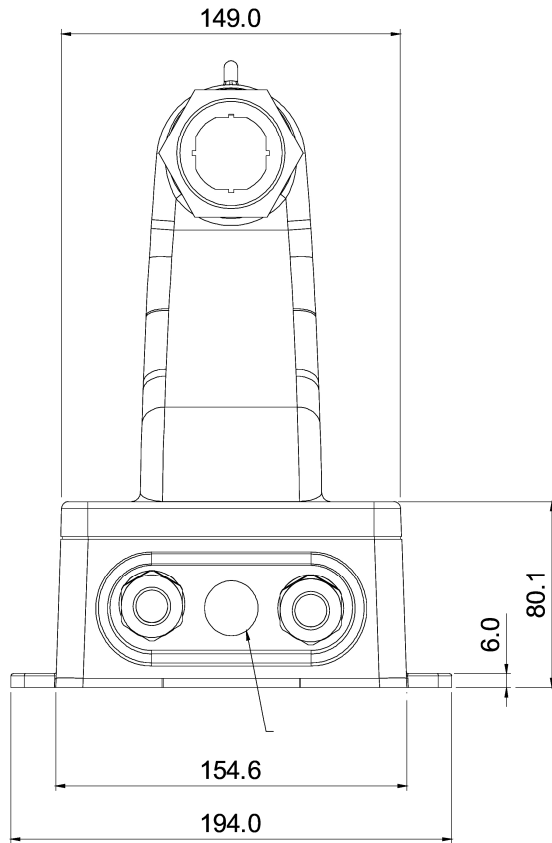
# SPECIFICATION



eng

## SPECIFICATION

### 3.2. Dimensions

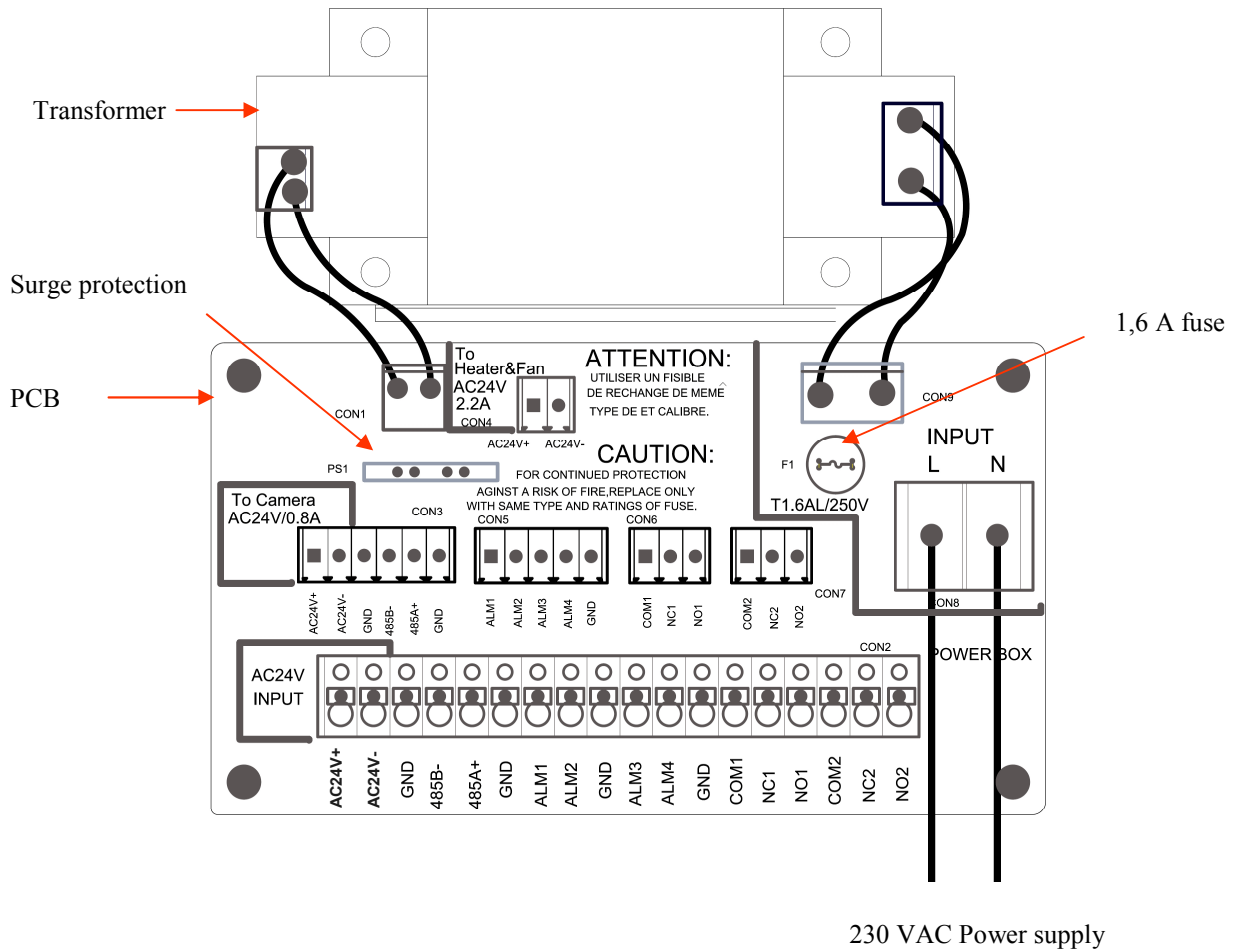


### 3.3 PCB CONSTRUCTION

Terminal connection board is one of the internal bracket elements. It contains terminals for camera module service and terminals CON1~CON9 for housing service. Housing and camera modul controlled via bundle of cables attached to the housing (refer to the housing manual).

Additionally board is equipped with 1,6 A fuse for transformer protection and surge protection device for electronic elements of the board and camera protection..

Refer to picture below.



Terminal description is listed on the next page.

eng

## SPECIFICATION

<b>CON1 – factory connected</b>		<b>CON4– for one connector of the cable bunch</b>	
24VAC – from transformer		AC24+	24VAC+ heater and fan power supply
		AC24-	24VAC- heater and fan power supply
<b>CON2 – for signal and power cables connection</b>		<b>CON5 - for one connector of the cable bunch</b>	
AC24+	24VAC output	ALM1	Alarm input no 1
AC24-	24VAC output	ALM2	Alarm input no 2
GND	Ground	ALM3	Alarm input no 3
485B-	RS-485 (-) input	ALM4	Alarm input no 4
485A+	RS-485(+) input	GND	Ground
GND	Ground	<b>CON6 - for one connector of the cable bunch</b>	
ALM1	Alarm input no 1	COM1	Relay output no. 1, common contact
ALM2	Alarm input no 2	NC1	Relay output no.1 contact normally closed
GND	Ground	NO1	Relay output no.1 contact normally open
ALM3	Alarm input no 3	<b>CON7 - for one connector of the cable bunch</b>	
ALM4	Alarm input no 4	COM2	Relay output no. 2, common contact
GND	Ground	NC2	Relay output no.2 contact normally closed
COM1	Common output of relay no 1	NO2	Relay output no.2 contact normally open
NC1	NC relay output no 1	<b>CON8 – for power supply 230 VAC</b>	
NO1	NO relay output no 1	L	“live” wire
COM2	Common output of relay no 2	N	Neutral wire
NC2	NC relay output no 2	<b>CON9 - factory connected</b>	
NO2	NO relay output no 2	230 VAC power supply connection	
<b>CON3 – for one connector of the cable bunch</b>			
AC24+	24VAC+ camera power supply		
AC24-	24VAC- camera power supply		
GND	ground		
485B-	RS-485 (-) input		
485A+	RS-485(+) input		
GND	Ground		

**NOTE:** Cable bunch attached to NVH-SD40EH housing allows to connect 4 alarm inputs and 1 output. In case of using more than 4 alarm inputs and 1 output of the dome camera it is required to use additional cable connection between the camera and the bracket. Additional cables are not included.

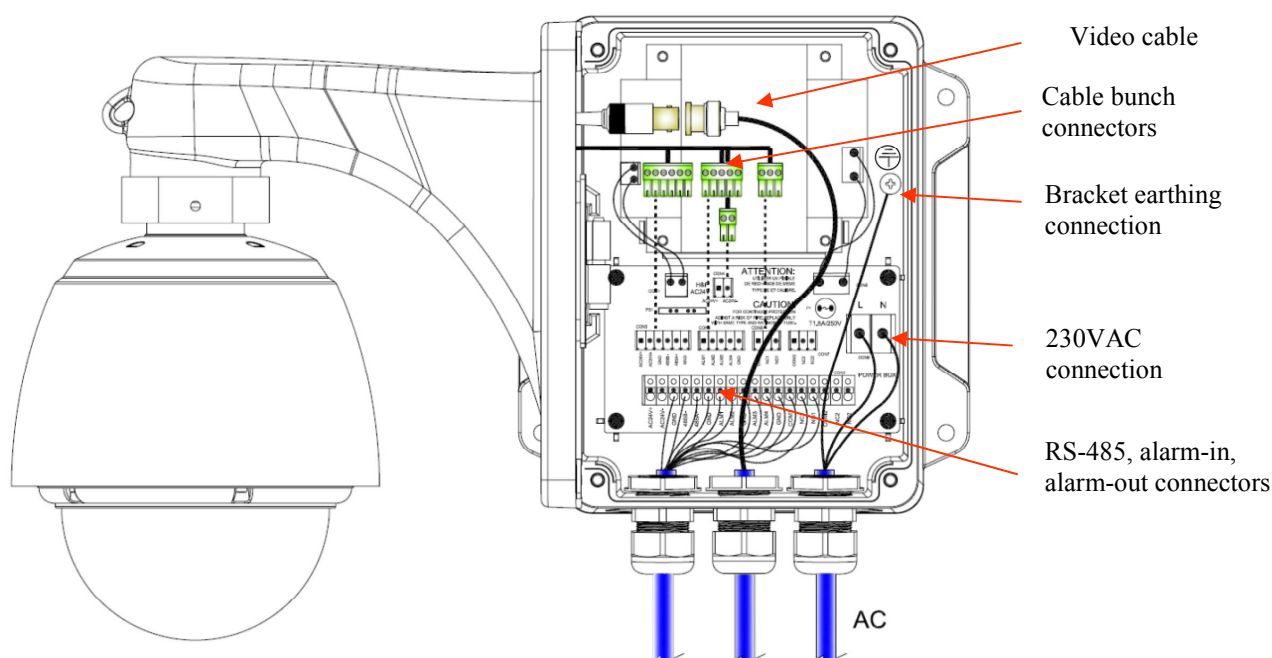
## INSTALLATION

### 4. BRACKET AND HOUSING INSTALLATION

All the numbers mentioned below refer to figures from a table from chapter 3.1.

Before installing the bracket install the camera in the housing and seal the thread with Teflon tape (refer to the manual of the housing).

1. Select suitable mounting location and lead all cables such a way they could be leaded into the bracket once it is mounted.
2. Mark mounting position and drill 4 holes for plastic anchors.
3. Screw on base (8) to the wall using 4 tapping screws with plastic anchors.
4. Unscrew 4 screws (1) fixing front part of the bracket (2) and turn aside (it is equipped with the hinge).
5. Feed on necessary cables through the bushing (10).
6. Connect wires to appropriate connectors marked CON2 and CON8. Pay attention to proper polarization. Screw the Earthing wire to the base and next to the transformer. The following sign is near the  $\perp$  point.
7. Feed on bunch of the wires with connectors from housing through the bracket.
8. Protect the housing against collapsing to fastening the snap hook with the bracket
9. Gently fasten the housing to the bracket with the nut (13). Do not use any tool.
10. Connect connectors to their sockets on the PCB. Connect any additional wires if necessary and check system operation after power on..



11. Lock front part of the bracket. Pay attention to the rubber gasket (5) position. Tighten 4 screws (1).
12. Gently tighten the nut (13) using the spanner. Secure the nut using hex screw (14).

**NOVUS<sup>®</sup>**

**NOVUS Security Sp. z o.o.**

ul. Puławska 431, 02-801 Warszawa  
tel.: (22) 546 0 700, fax: (22) 546 0 719  
[www.novuscctv.com](http://www.novuscctv.com)