

user's manual

eng



NVB-SD40W
NVB-SD40CB

noVus[®]

IMPORTANT SAFEGUARDS AND WARNINGS

ATTENTION!

READ, KEEP, AND FOLLOW THESE INSTRUCTIONS. ALL THE SAFETY AND OPERATING INSTRUCTIONS SHOULD BE READ BEFORE THE PRODUCT IS OPERATED.



ATTENTION!

PRIOR TO UNDERTAKING ANY ACTION THAT IS NOT PROVISIONED FOR THE GIVEN PRODUCT IN ITS USER'S MANUAL AND OTHER DOCUMENTS DELIVERED WITH THE PRODUCT, OR THAT ARISES FROM THE NORMAL APPLICATION OF THE PRODUCT, ITS MANUFACTURER MUST BE CONTACTED OR THE RESPONSIBILITY OF THE MANUFACTURER FOR THE RESULTS OF SUCH AN ACTION SHALL BE EXCLUDED.

IMPORTANT SAFEGUARDS AND WARNINGS

1. Read, keep, and follow these instructions. All the safety and operating instructions should be read before the product is operated.
2. Heed all warnings. All warnings on the product and in the instruction manual should be adhered to
3. Use only attachments / accessories specified by the manufacturer.
4. Do not install this equipment on unstable surfaces. Improper installation may cause dangerous accident or cause unit damage.
5. Installation and servicing should be done only by the qualified service personnel and conform to all local codes.
6. Prevent from any liquid or any foreign body entering the unit interior.
7. There are no user-serviceable parts inside this unit. Only authorized service personnel may open the unit.

INFORMATION

The device, as a part of professional CCTV system used for surveillance and control, is not designed for self installation in households by individuals without technical knowledge.

The manufacturer is not responsible for defects and damages resulting from improper, or inconsistent with user's manual, installation of the device in the system.

All the data included in this manual are up to date at the moment of printing this manual. Novus Security Sp. z o.o. reserves the right to amend this manual. The producer reserves the right to modify parameters of the device and change its design without notice.

MAIN CHARACTERISTIC

1. MAIN CHARACTERISTIC

- ◆ External brackets for NVH-SD40EH housing
- ◆ Construction material: powder-coated aluminum, beige colour
- ◆ For wall or ceiling installation, corner and pole mount possible by means of additional adapters



NVB-SD40W



NVB-SD40CB

eng

2. PACKAGE CONTENT

2.1 Wall bracket

1. Aluminium bracket	1 pc
2. Plastic anchor	4 pcs
3. Screw	4 pcs
4. Hex L-wrench	1 pc
5. Spring washer	4 pcs
6. Nut	4 pcs
7. Mounting base	1pc
8. Plug tool	1 pc
9. User's manual	1pc

2.2 Ceiling bracket

1. Aluminium bracket	1pc
2. Plastic anchor	3 pcs
3. Screw	3 pcs
4. Hex L-wrench	1 pc
5. User's manual	1pc

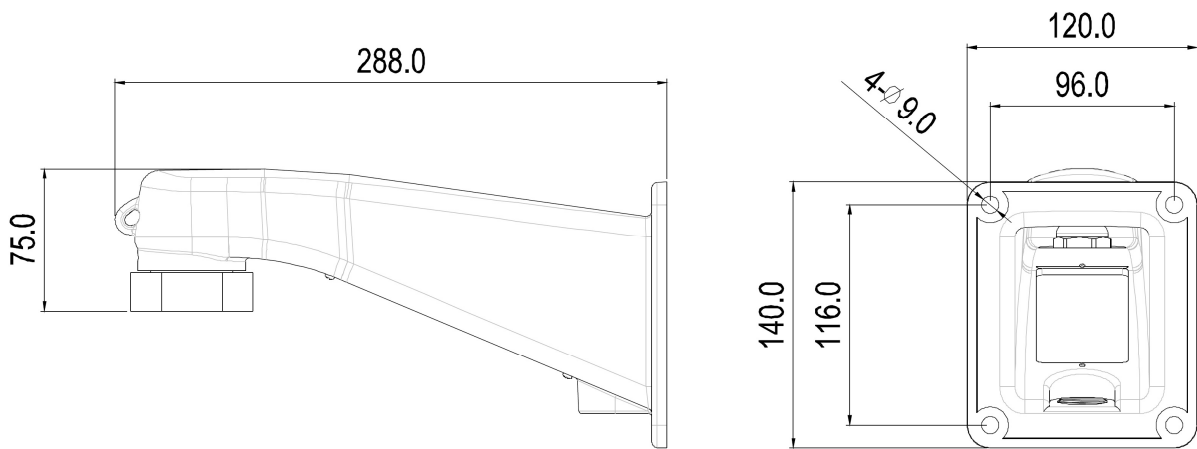
WALL BRACKET

3. WALL BRACKET

3.1 Wall bracket specification

- ◆ Construction material - aluminium
- ◆ Load capacity up to 6 kg
- ◆ Coating colour - beige

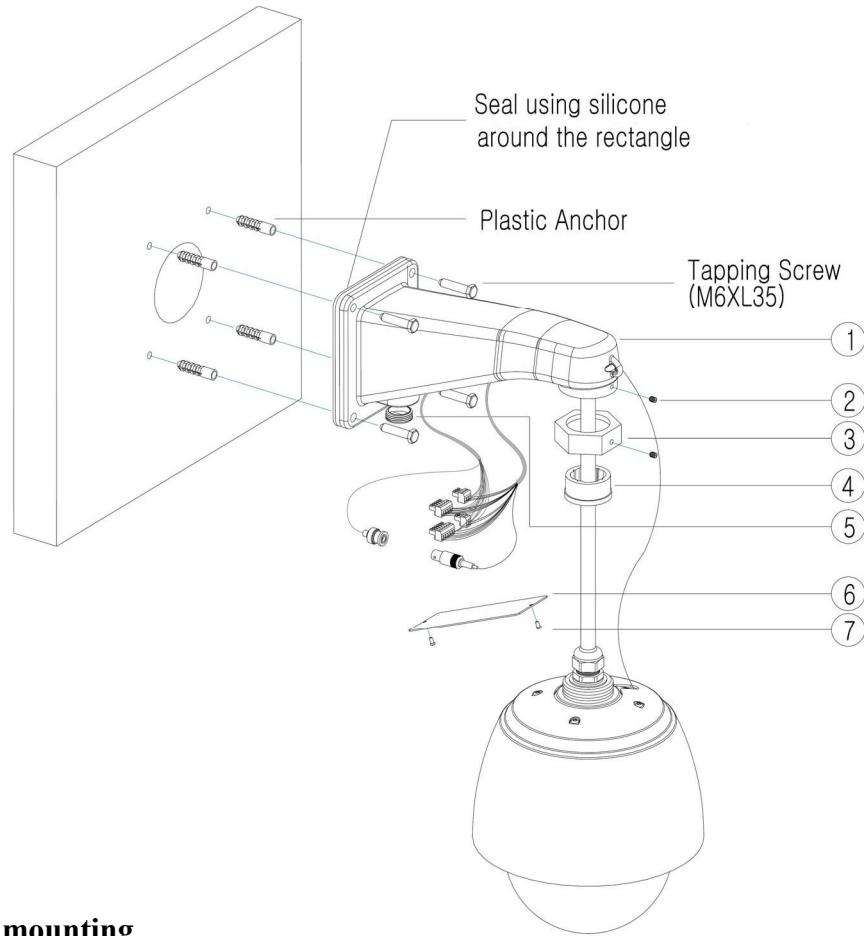
3.1.1. Dimensions



3.1.2. Parts list

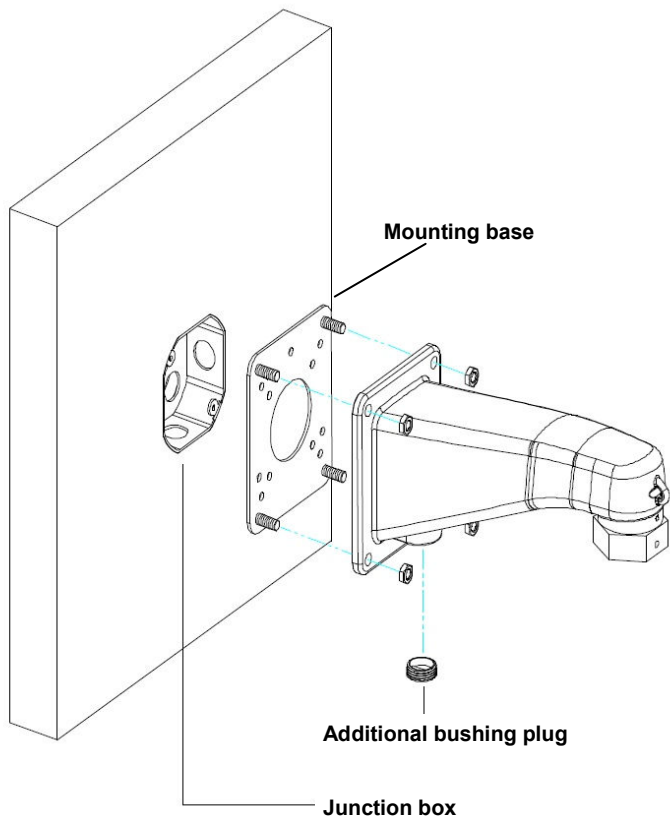
NO	PART NAME	QTY
1	Wall bracket	1
2	Hex screw	2
3	Locking nut	1
4	Bush	1
5	Additional bushing plug	1
6	Service hole plate	1
7	Service plate screw	2

WALL BRACKET



eng

3.2 Wall mounting



WALL BRACKET

WARNING!: Because of safety conditions it is recommended to install wall bracket with housing and camera on the wall with load capacity above 25 kg.

3.2.1. Installation procedure

Wall bracket can be mounted directly to the wall or with additional mounting base. In case of using mounting base using additional tapping screws with plastic anchors should be provided. It is not possible to use the ones included in a package.

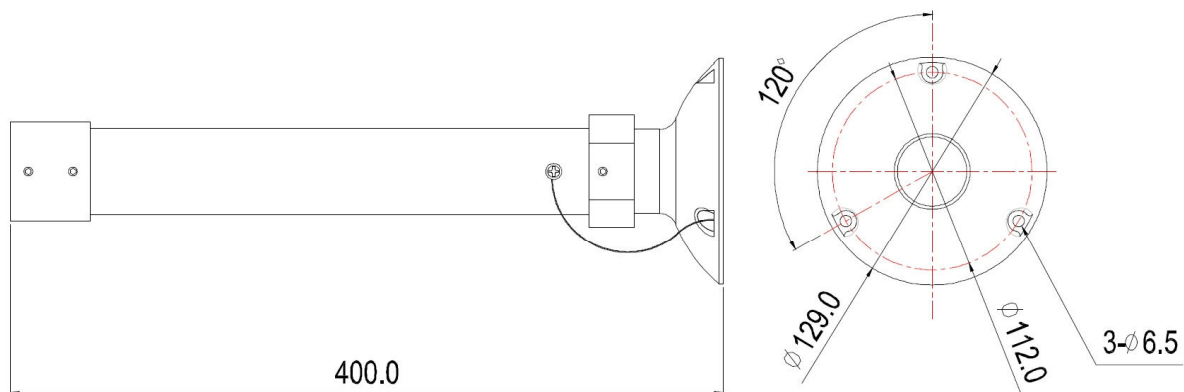
1. Select suitable mounting location and lead all cables in such a way that they are in a centre of the bracket once it is mounted.
2. Mark mounting position and drill 4 holes for plastic anchors.
3. In case of using the mounting base use additional anchors and screws and fix the base to the wall.
4. Unscrew 2 screws (6) of the service hole plate (7).
5. Feed all cables through service hole.
6. Seal the bracket edge with silicon.
7. Screw on wall bracket to the wall using 4 tapping screws with plastic anchors or screw on to the mounting base using nuts and washers included in the mounting kit.
8. Feed the housing cable through the bracket (refer to housing manual).
9. Seal housing and bracket connection with teflon tape (refer to housing manual).
10. Screw on housing to the wall bracket using locking nut (3) and secure it with hex screw.
11. Attach the housing to the wall bracket using safety wire.
12. Connect all signal and power cables.
13. Put excessive cables into bracket interior and screw on service hole plate.

eng

CEILING BRACKET

4. CEILING BRACKET

3.2.1 DIMENSSIONS

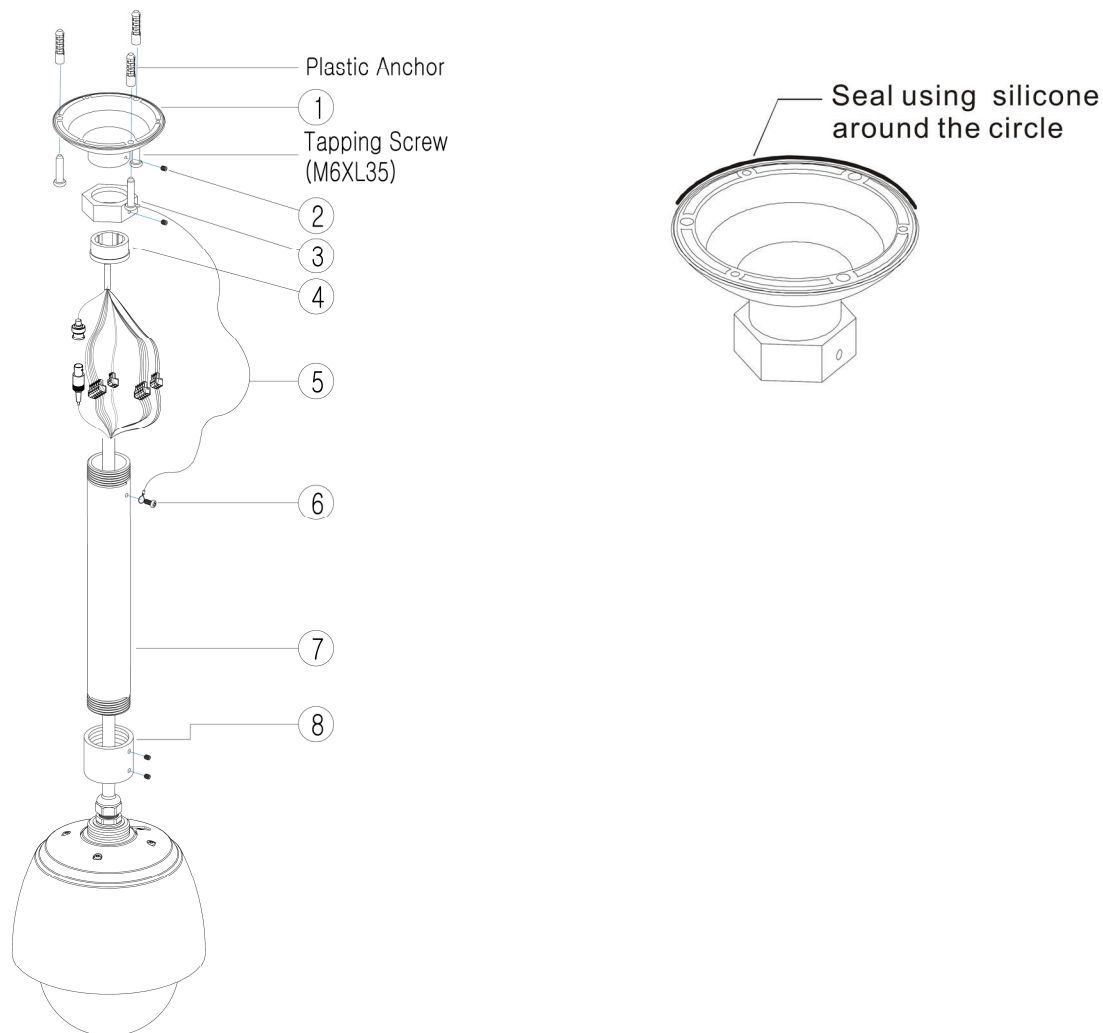


eng

3.2.2 Parts list

NO	PART NAME	QTY
1	Base	1
2	Hex screw	2
3	Locking nut	1
4	Bush	1
5	Safety wire	1
6	Safety wire screw	1
7	Pipe	1
8	Threaded sleeve	1

CEILING BRACKET



3.2.3. Ceiling mounting

WARNING!: Because of safety conditions it is recommended to install wall bracket with housing and camera on the wall with load capacity above 25 kg.

3.2.4. Installation procedure

1. Select suitable mounting location and lead all cables such a way they are in a centre of the bracket once it is mounted.
2. Mark mounting position and drill 3 holes for plastic anchors.
3. Seal the base edge (1) with silicon
4. Feed all cables through base (1).
5. Screw on base (1) to the ceiling using 3 tapping screws witch plastic anchors.
6. Feed the housing cable (refer to housing manual) through the bracket pipe (7).

CEILING BRACKET

7. Seal housing and bracket connection with teflon tape (refer to housing manual).
8. Screw on housing to the bracket pipe (7) using threaded sleeve (8) and secure it with hex screw.
9. Attach the bracket pipe (7) to the base (1) using safety wire (5).
10. Connect all signal and power cables.
11. Put excessive cables into pipe interior and screw on pipe (7) to the base (1) using locking nut (3). Secure the nut with a hex screw.

eng

NOVUS[®]

NOVUS Security Sp. z o.o.

ul. Puławska 431, 02-801 Warszawa
tel.: (22) 546 0 700, fax: (22) 546 0 719
www.novuscctv.com